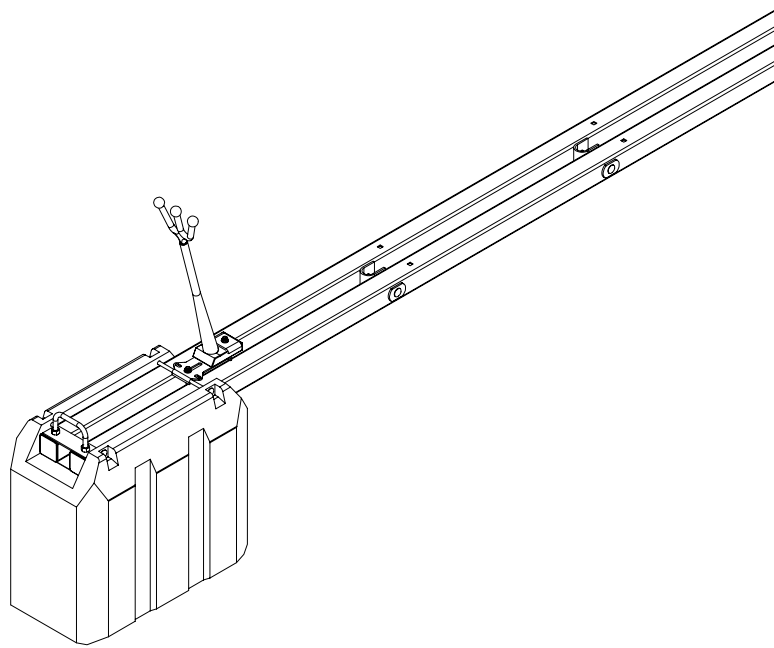


# Finger

## Assembly of Neptun's trident.



### PARTS

Item 1 x 1 Trident	Item 2 x 1 Bracket	Item 3 x 1 Bracket	Item 4 x 1 Bracket
Item 5 x 3 M12 DIN 985 A4	Item 6 x 3 M12 DIN 125 VZ	Item 7 x 1 M12x50 DIN 603 VZ	Item 8 x 2 M12x120 DIN 603 VZ

Necessary equipment.:

**Spanner for: M12**

Prestressing factor:  
M12 = 87 Nm

NB! - Do not tighten until deformation of any steel or plastic parts.

