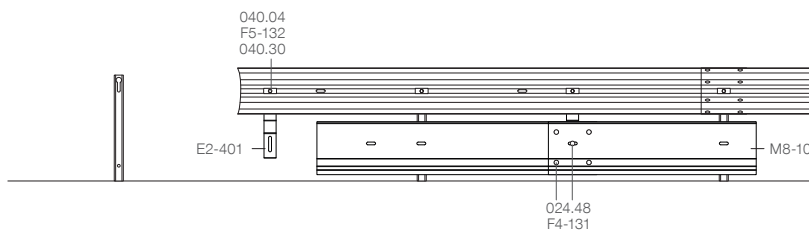
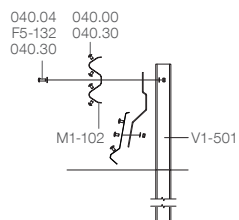
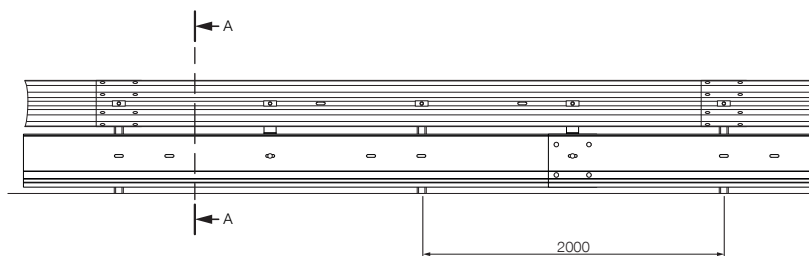
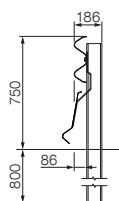


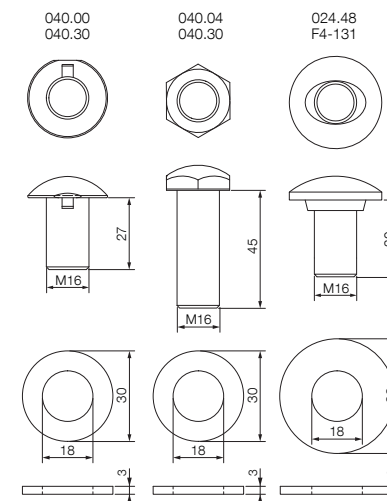
Parts

Art. no.	Description	Qty / m
M1-102	Beam, A, 4.300 mm, 2,5	0.25
V1-501	Post, C100x60, 1.500 mm, 4,0	0.5
M8-103	Motoshield, C70, 4.320 mm	0.25
E2-401	Suspension plate	0.5
F5-132	Plate M16, 85x35x4.0 mm	1
024.48	Panhead bolt M16x30, 5.8 TR	1.5
040.00	Panhead bolt M16x27, 4.6	2
040.04	Panhead bolt M16x45, 8.8	1
040.30	Washer, Ø18x30	3
F4-131	Washer, Ø18x38	1.5

A-A



Fasteners



Attention! Change of the part numbers: 001.58 = M1-102 / 063.15 = V1-501 / 010.70 = F5-132 / 040.38 = F4-131 / 024.30/18 = M8-103 / GR-03719 = E2-401

Systemübersicht · System overview · Présentation du système · Panoramica del sistema · Descripción general del sistema · Visão geral do sistema · Přehled systému
Sisteme Genel Bakış · Przegląd systemu · Обзор системы · Prezentare generală sistem · Overzicht van het systeem · Systemtegning · Systemritning · نظرة عامة للنظام

MegaRail ep 2.0 with motoshield

H1 · W3 · A L1 · W3 · A N2 · W3 · A