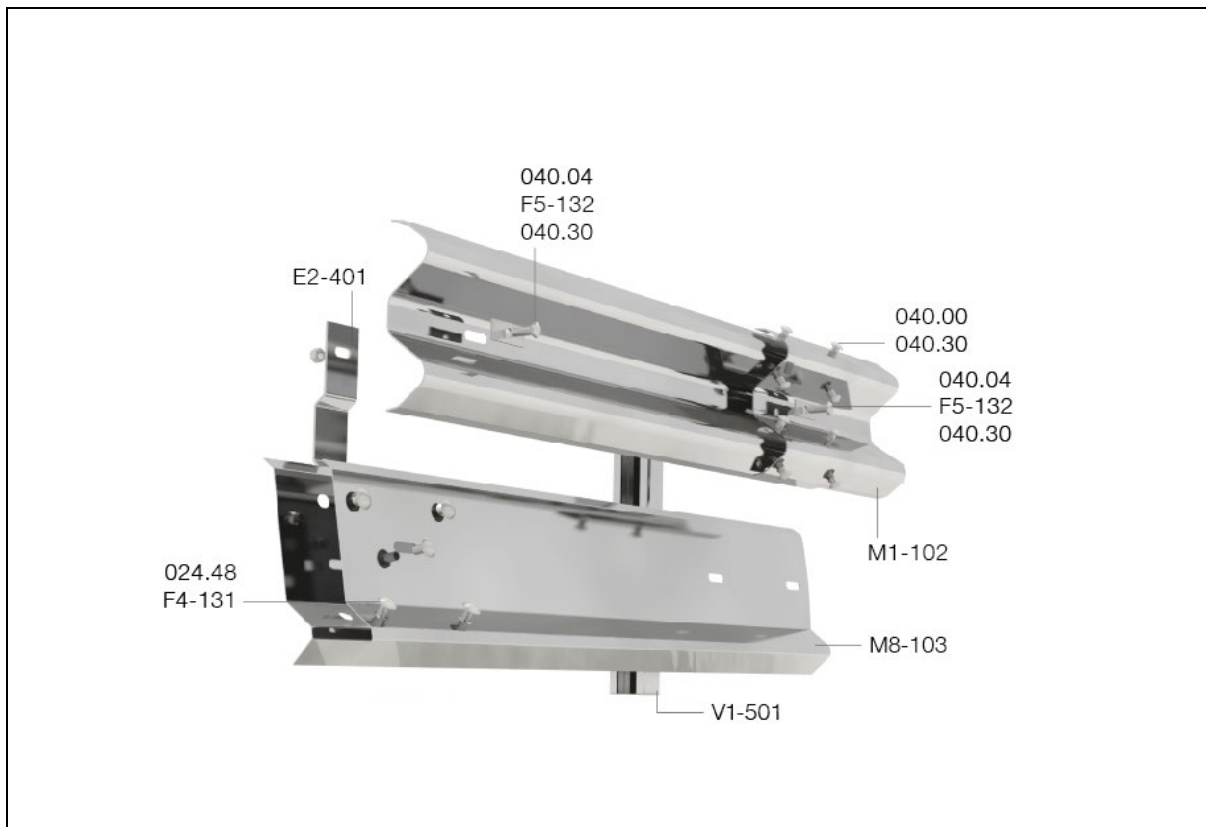


MONTAGETAFEL · ASSEMBLY DRAWING - PROFILE A

MegaRail ep 2.0 with motoshield



Bauteile · Main components

Nr. · no.	Beschreibung	Description	Qty/m
M1-102	SP-Holm, A, 4300 mm, 2.5	Beam, A, 4300 mm, 2.5	0,25
M8-103	Unterfahrerschutz, 350 mm, 4.320 mm	Motoshield, 350 mm, 4.320 mm	0,25
E2-401	Halter für Unterfahrerschutz	Bracket for motoshield	0,50
V1-501	Pfosten, C100x60, 1500 mm, 4.0	Post, C100x60, 1500 mm, 4.0	0,50

Befestigungsmaterial · Fasteners

Nr. · no.	Beschreibung	Description	Qty/m
F5-132	Decklasche, f. M16, 85x35x4.0, RL	Plate, f. M16, 85x35x4.0, RL	1,00
024.48	HRK-Schraube m. oval, M16x30, 5.8	Panhead bolt w. hex., M16x30, 5.8	1,50
040.00	HRK-Schraube, M16x27, 4.6	Panhead bolt, M16x27, 4.6	2,00
040.04	HRK-Schraube m. 6-kt., M16x45, 8.8	Panhead bolt w. hex., M16x45, 8.8	1,00
040.30	Scheibe, f. M16, Ø18x30x3.0	Washer, f. M16, Ø18x30x3.0	3,00
F4-131	Scheibe, f. M16, Ø18x38x3.0	Washer, f. M16, Ø18x38x3.0	1,50