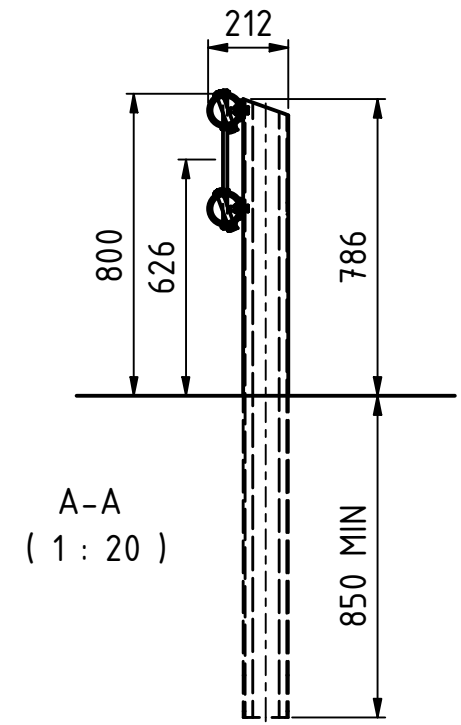
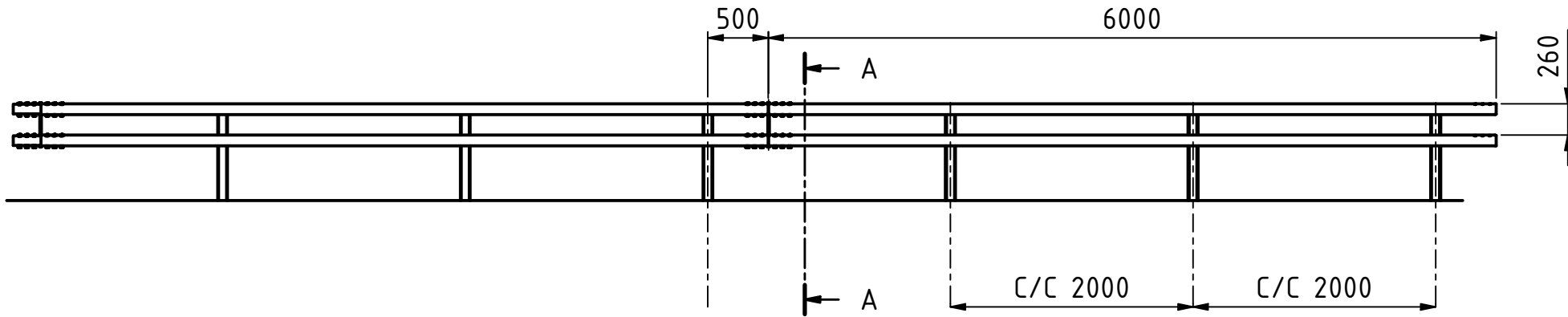
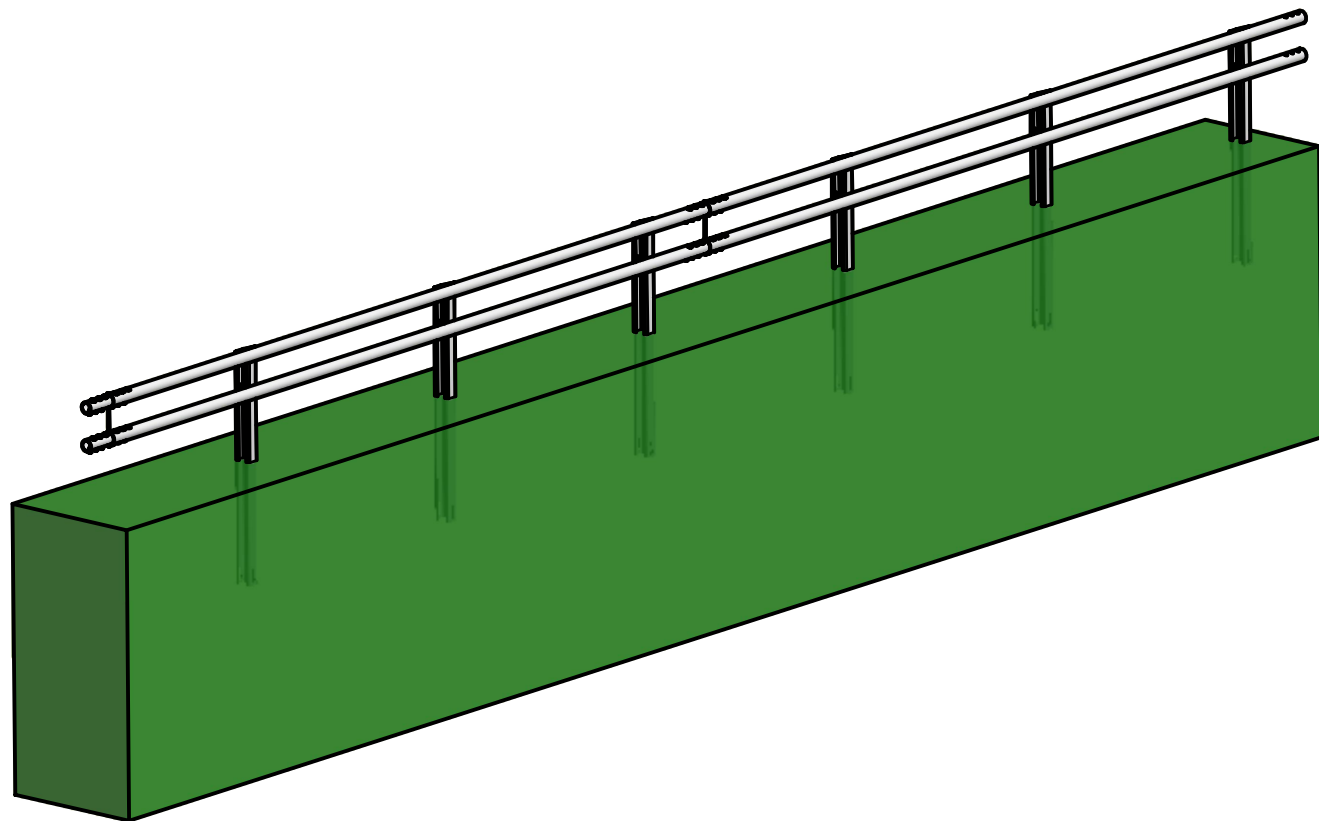
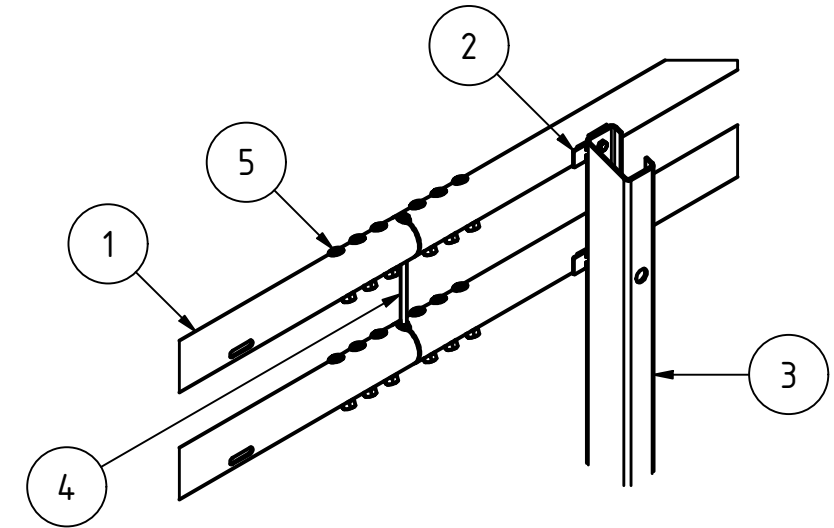



90E5E1S



← TRAFFIC SIDE AND DIRECTION



5	12 / 6m	JOINT BOLT with NUT	0,2 kg	112216105001 / 4116104
4	1 / 6m	JOINT TUBE KIT H2	6,9 kg	67529
3	3 / 6m	POST	18,6 kg	60518
2	6 / 6m	LOCK KIT M12 4.6 BOLT	0,2 kg	60597 / 60590
1	2 / 6m	RAILING	45,1 kg	60520

Item No.	Qty.	Description	MASS	Note
Date		Constr./Drawn by	Scale	Sheet # 1 / 1
26/11/2021		SNR	A3 - 1 : 50	
Calculation		Approved by	Weight 23,9 kg/m	 a SAFEROAD® company
SafeLine-R Roadside Barrier				
SafeLine-R L2/W4 CC2, H2/W4 CC2 and N2/W2 CC2			5135306	Revision
Reference:		Replacing		Replaced by

5135306.idw

© VIK ØRSTA A SAFEROAD COMPANY