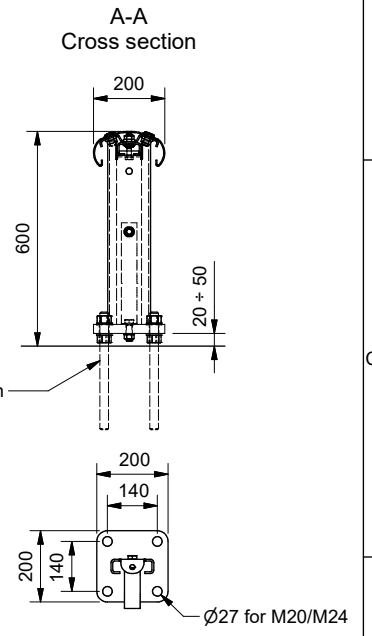
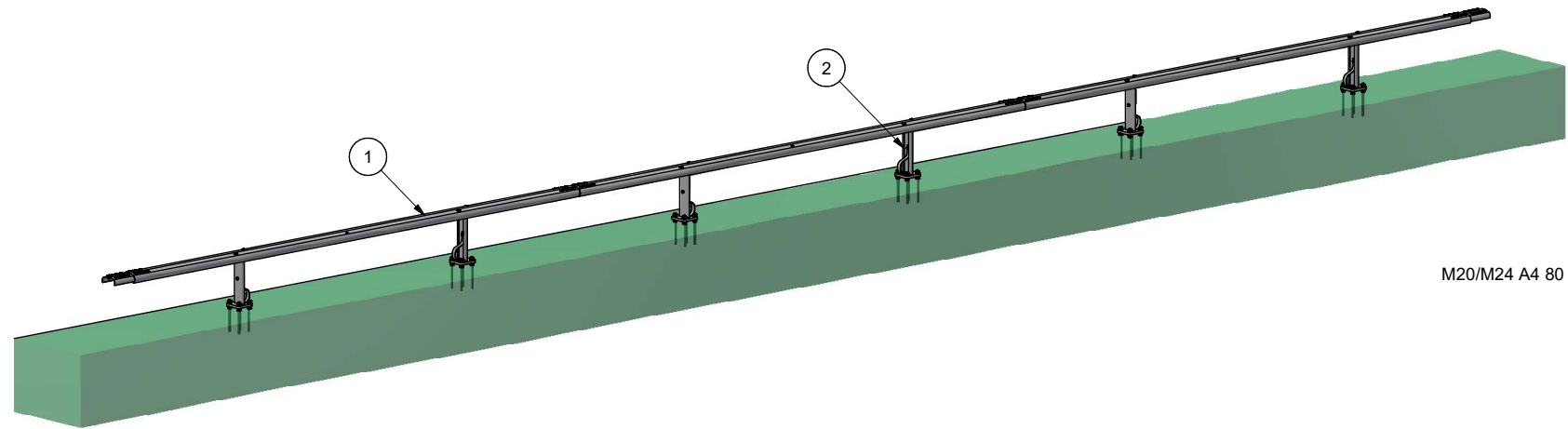
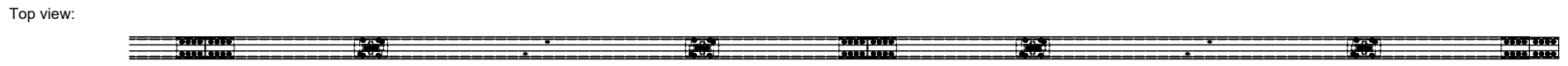
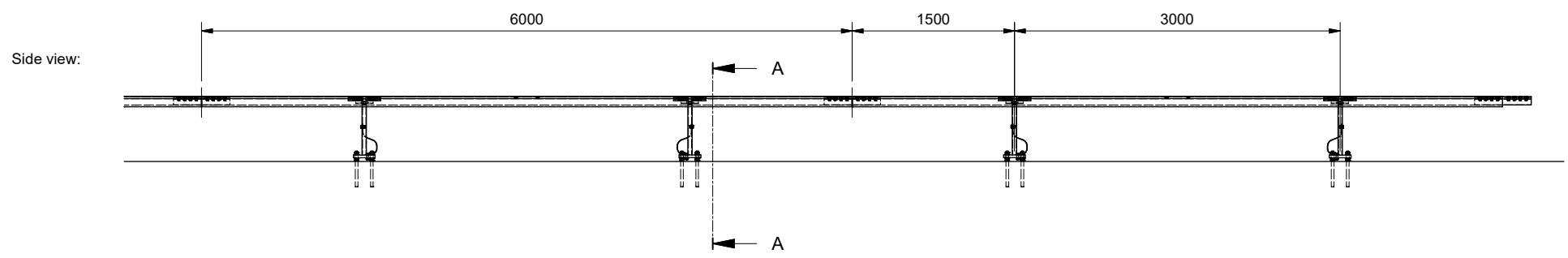


Rev.	Zone	Revision description	Author	Date
A		Tape shape changed	GK	18.09.2019
B	BOM	Remarks, Bolt M12x25 art. no	AT	04.10.2019
C		Changed holes in baseplate to Ø27	sibj	25.08.2021



M20/M24 A4 80 el. 8.8vzn

9	1/3 m	61789	Bolt M12x25 4.6 HDG	0 kg	
8	1/3 m	61788	T-washer	0,2 kg	
7	1/3 m	61787	Mini C 65	0,7 kg	1 pc. included in KIT 61741
6	24 /6 m	61769	Bolt M16x30 with rounded head 8.8 HDG	0,1 kg	16 pcs included in KIT 61741
5	24/6 m	692316000	Flange nut M16 DIN 6923 8 Isofit HDG	0,1 kg	16 pcs included in KIT 61741
4	1/3 m	61786	Top plate	2 kg	1 pc. included in KIT 61741
3	1/6 m	61768	Joint plate	4,5 kg	1 pc. ncluded in KIT 61741
2	1/3 m	61720	Safeline-M post with baseplate and tape	12,3 kg	
1	1/6 m	61750	Oval open profile 200x100x3 L=5995 cc3/6	52,6 kg	1 pc. included in KIT 61741
Pos.	Qty.	Art. nr.	Material type	Mass	Remarks

Anchor bolts are not included  
Weight 15.3 kg/m excluding anchors

Date	04/10/2019	Constr./Drawn by	at/gk	Scale	A3 - 1 : 40
Calculation		Approved by			

Sheet no  
1 / 1



Safeline-M Median Barrier  
Posts spacing c/c 3m, on baseplate  
System drawing

5135711 Revision  
C

Reference: \\workspace\Designs\03 Trafikk\KIN NY VAR\Midtrekkverk\Safeline-M\00 Systemtegning\5135711 Replacement Replaced by This drawing is our property and must not be used, copied, or made available to others without our consent.