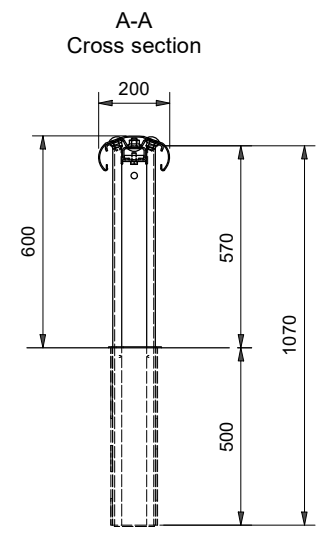
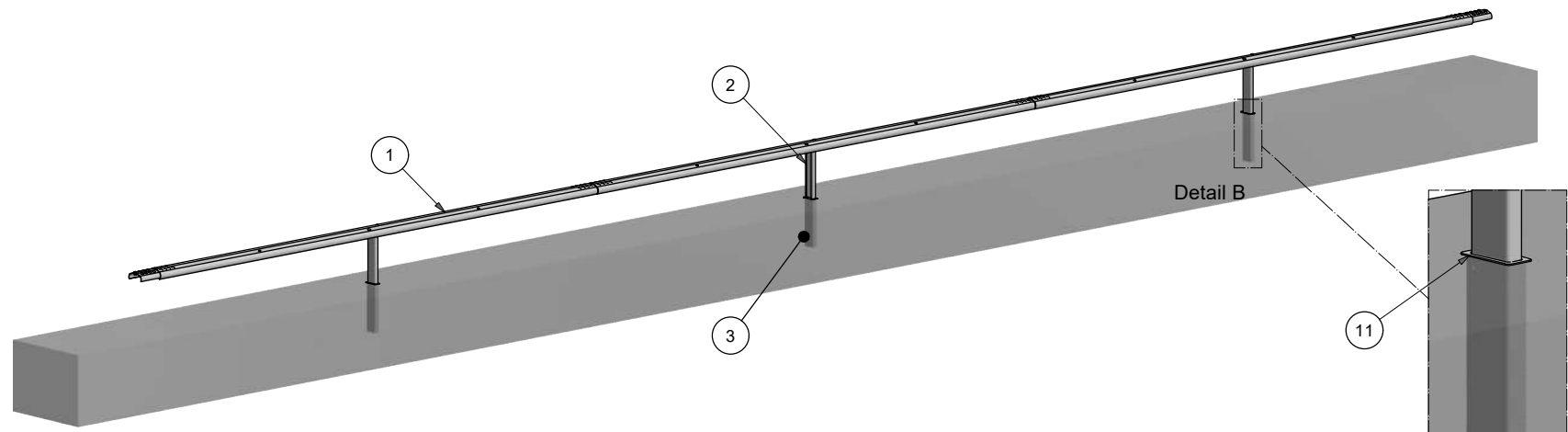
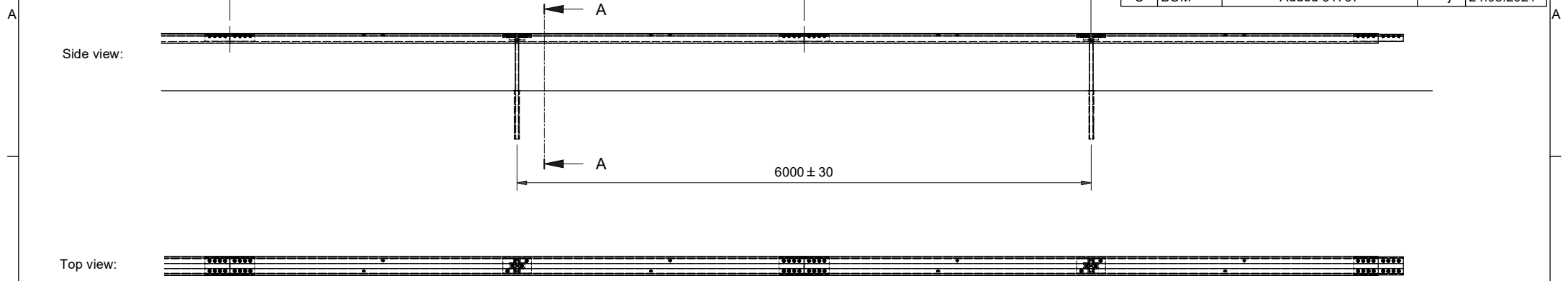


Rev.	Zone	Revision description	Sign.	Date
-				04.10.2019
A	BOM	Remarks, Bolt M12x25 art no	GK	04.10.2019
B	BOM/ C5	Added cover plate	AT	11/11/2019
C	BOM	Added 61767	sibj	24.08.2021



Detail B ( 1 : 10 )

For assembly details see system assembly drawing 5135700M.  
Mass 13.1 kg/m

12	16/6 m	61767	Bolt M16x32 with rounded head 8.8 HDG		8pcs included in KIT 61740
11	1/6 m	61717	Cover plate PL 150x70 t=2.7 ABS Plastic	0 kg	
10	1/6 m	61789	Bolt M12x25 DIN933 4.6 HDG	0 kg	
9	4/6 m	61767	Bolt M16x30 with rounded head 8.8 HDG	0,1 kg	4pcs included in KIT 61740
8	20/6 m	692316000	Flange nut M16 DIN 6923 8 Isofit HDG	0,1 kg	12pcs included in KIT 61740
7	1/6 m	61788	T-washer	0,2 kg	
6	1/6 m	61787	Mini C 65	0,7 kg	1pc included in KIT 61740
5	1/6 m	61786	Top plate	2 kg	1pc included in KIT 61740
4	1/6 m	61768	Joint plate	4,5 kg	1pc included in KIT 61740
3	1/6 m	61715/16	Socket 500 mm without (61715) or with bottom plate (61716)	5,5 kg	
2	1/6 m	61710	C-post 120x40 L=1070	9,1 kg	
1	1/6 m	61750	Oval open profile 200x100x3 L=5995 cc3/6	52,6 kg	1pc included in KIT 61740
Pos.	Ant.	Art. no	Material type	Mass	Remarks

Date	05.08.2019	Constr./Drawn by	gk	Scale	A3 - 1 : 100
Calculation		Approved by			
Safeline-M Median Barrier					
Posts spacing c/c 6m, post in socket 500mm					
System drawing					
Reference:	E:\WorkSpace\Designs\03 Trafikk\EIN NY VAR\Midtrekkverk\Safeline-M00\System\Bearing\5135715				Replacement
					Replaced by

**VIKørsta**  
a SAFEROAD company

5135715

Revision  
**C**

This drawing is our property and must not be used, copied, or made available to others without our consent.