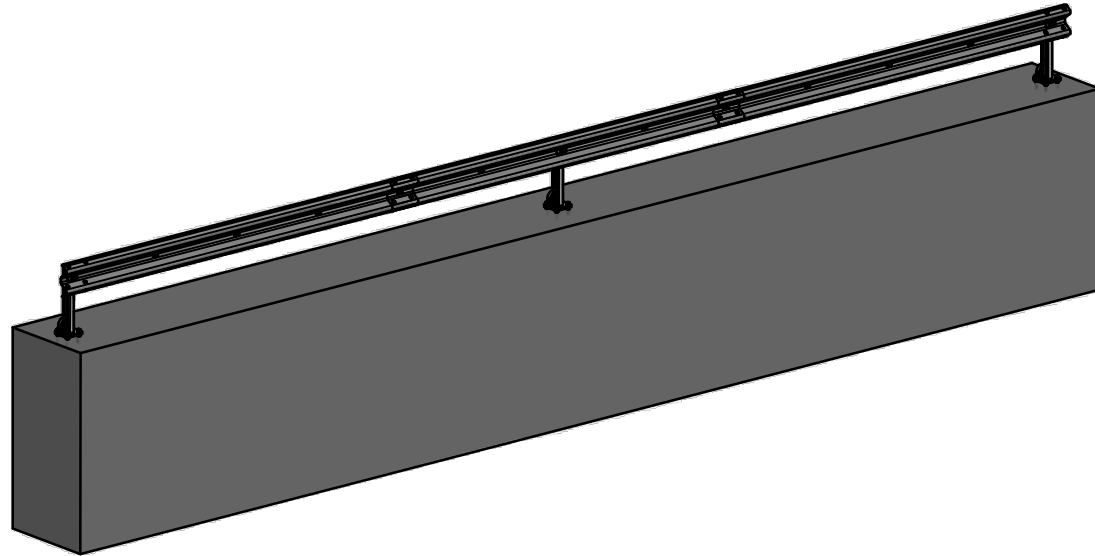
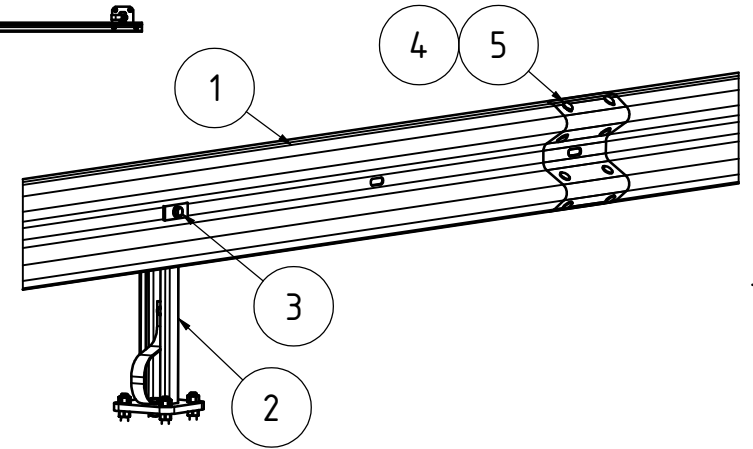
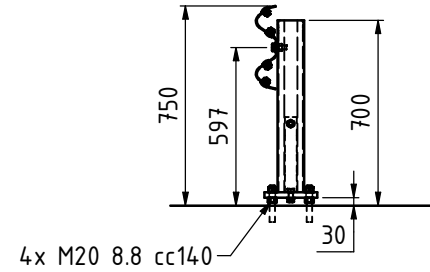
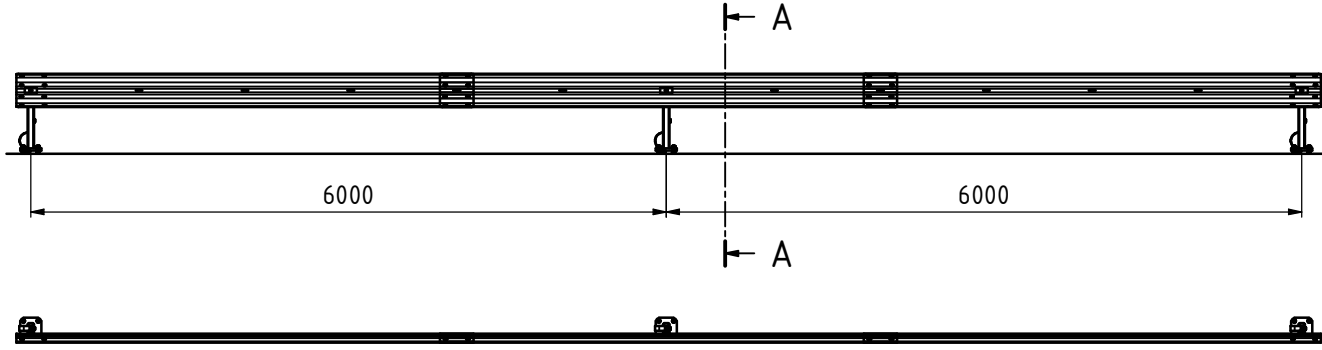


6E97E15

A-A ( 1:20 )



5	8 / 4m	Splice bolt M16X25 4.6 VFZ	0,1 kg	60641
4	8 / 4m	Flange nut DIN 692 M16 VFZ 8.8 Isofit	0,1 kg	692316000
3.4	1 / 6m	Nut DIN 934 8 M16 VFZ	0 kg	60643
3.3	1 / 6m	Washer DIN 125 17/30/3 M16 VFZ	0 kg	60642
3.2	1 / 6m	Washer M16 4-KT 18/115x40x5 VFZ	0,2 kg	60981
3.1	1 / 6m	Bolt DIN 933 8.8 M16x45 VFZ	0,1 kg	933316045
3	1 / 6m	Festesats M16x45 Kpl	0,3 kg	60613
2	1 / 6m	Vik EP post with baseplate KIT	11,6 kg	60278
1	1 / 4m	A-profile beam 310 L= 4,0 m, 3 mm, S355	46,1 kg	60066
Item No.	Qty.	Description	MASS	Note

Torque on bolt connections		
Item No.	Description	Torque [Nm]
3,4,5,6	railing/post	120
7,8	railing/railing	70

Date	03.11.2020	Constr./Drawn by	AT	Scale	A3 - 1 : 50	Sheet #	1 / 1	 a SAFEROAD company	
Calculation		Approved by	JHS			Weight	13,9 kg/m		
Vik EP Roadside Barrier								<b>5134639</b>	
Vik EP N2 cc6 with baseplate									
System drawing								Revision	-
Reference:						Replacing	Replaced by	This drawing is the property of Saferoad and must not be used, copied, or made available to others without our consent.	

Rev.	Revision Description	Sign.	Date

5134639.idw

© VIK ØRSTA A SAFEROAD COMPANY