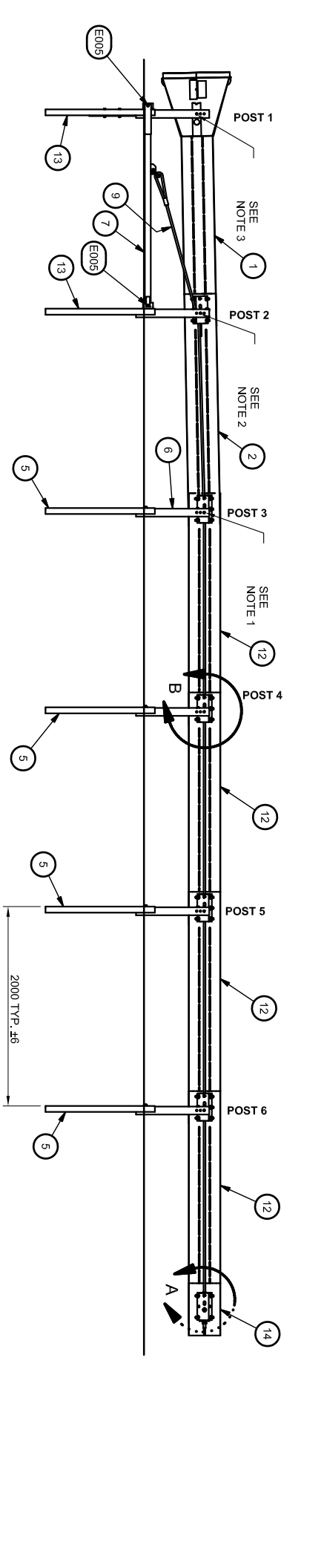
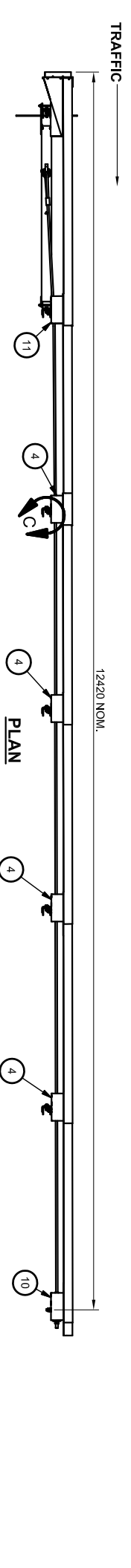
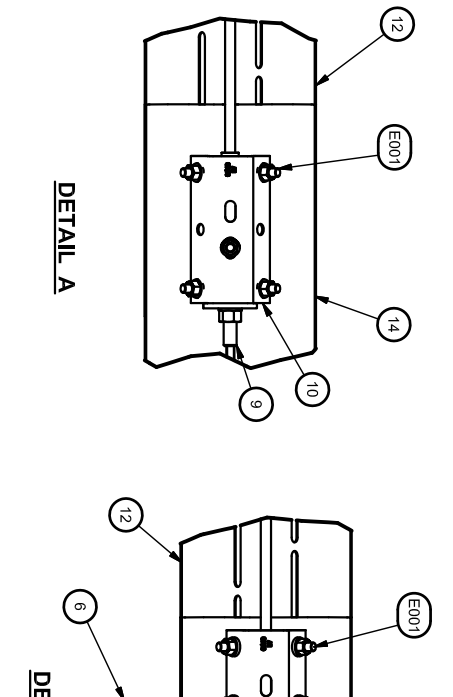


PARTS LIST			
ITEM	STOCK NO.	DESCRIPTION	QTY.
1	2770050-0000	HEAD/RAIL TERMINUS, G/W/DEGALS	1
2	2770052-0000	RAIL, W-SHAPE, 2323, G	1
3	2770053-0000	BACKING PLATE POST TERMINUS, G	6
4	2770058-0000	SPACER POST/RAIL TERMINUS, G	4
5	2770055-0000	POST, LOWER, TERMINUS, 1100, G	4
6	2770056-0000	POST, UPPER, TERMINUS, 735, G	6
7	2770062-0000	STRUT, TERMINUS	1
8	2770063-0000	SOIL PLATE, TERMINUS	1
9	3506351-0000	CABLE ASSY, TERMINUS	1
10	2770060-0000	SPACER, CABLE ANCHOR, TERMINUS, G	1
11	2770059-0000	SPACER POST 1/RAIL, TERMINUS, G	1
12	2770051-0000	RAIL, W-SHAPE, 2323, G, W/FIN	4
13	2770064-0000	POST, LOWER, FRONT, TERMINUS, 1100, G	2
14	2770068-0000	RAIL, W/FIN, W-SHAPE, 525, G	1
15	2708975-0000	WASHER, BAR, 1/4X2X89M, W/SLOT	5
16	2735921-0000	INSTALLATION INSTRUCTIONS, TERMINUS	1
E001	2680003-E001	RAIL BOLT ASSY, THK WASHER, E001	41
E004	2680004-E004	HX BOLT ASSY, M10X80, E004	2
E005	2680005-E005	HX BOLT ASSY, M10X130, E005	2
E006	2680006-E006	HX BOLT ASSY, M12X50, E006	6

TOLERANCES	
TOL. ANGULAR:	± 1'
TOL. DECIMAL:	XX ± .5
TOL. DECIMAL:	XX ± .10
FINISHES UNLESS OTHERWISE SPECIFIED	



- NOTES:
1. ATTACH SPACERS, ITEM 4 IN UPPER HOLES OF UPPER POSTS 3 THROUGH 6.
  2. ATTACH SPACER, ITEM 11 IN MIDDLE HOLE OF UPPER POST NUMBER 2. CABLE, ITEM 9, PASSES THROUGH HOLE IN SPACER, ITEM 11.
  3. ATTACH HEADRAIL, ITEM 1 IN LOWER HOLE OF UPPER POST NUMBER 1. SEE SHEET 2 FOR DETAILS OF GUARDRAIL AND HEAD HEIGHT.

**ELEVATION - DEPARTURE SIDE**

Pos	Ant.	Art. nr.	Navn, materialtype	Kapl.	Vekt	Anm
<p><b>TREND END TERMINAL WITH DRIVEN POSTS</b></p>						
<p><b>P4</b></p>						
<p><b>WITH DRIVEN POSTS</b></p>						
<p><b>Hensiktsfig:</b></p>						
<p><b>61300</b></p>						

Pos	Ant.	Art. nr.	Navn, materialtype
Dato	20 okt. 2014	Konstr./Tegnet	JHS
Beregning		Godkjent	AS

Sym-bol	Rule	Forandring/forandr. melding nr.	Dato/Sign.

**VIKORSTA**

61300

Revisjon

Erstatning for

Erstatet av

Dinns tegning er vår eiendom og må ikke uten vårt samtykke, brukes, kopieres eller med våre interesser gjøres tilgjengelig for andre.