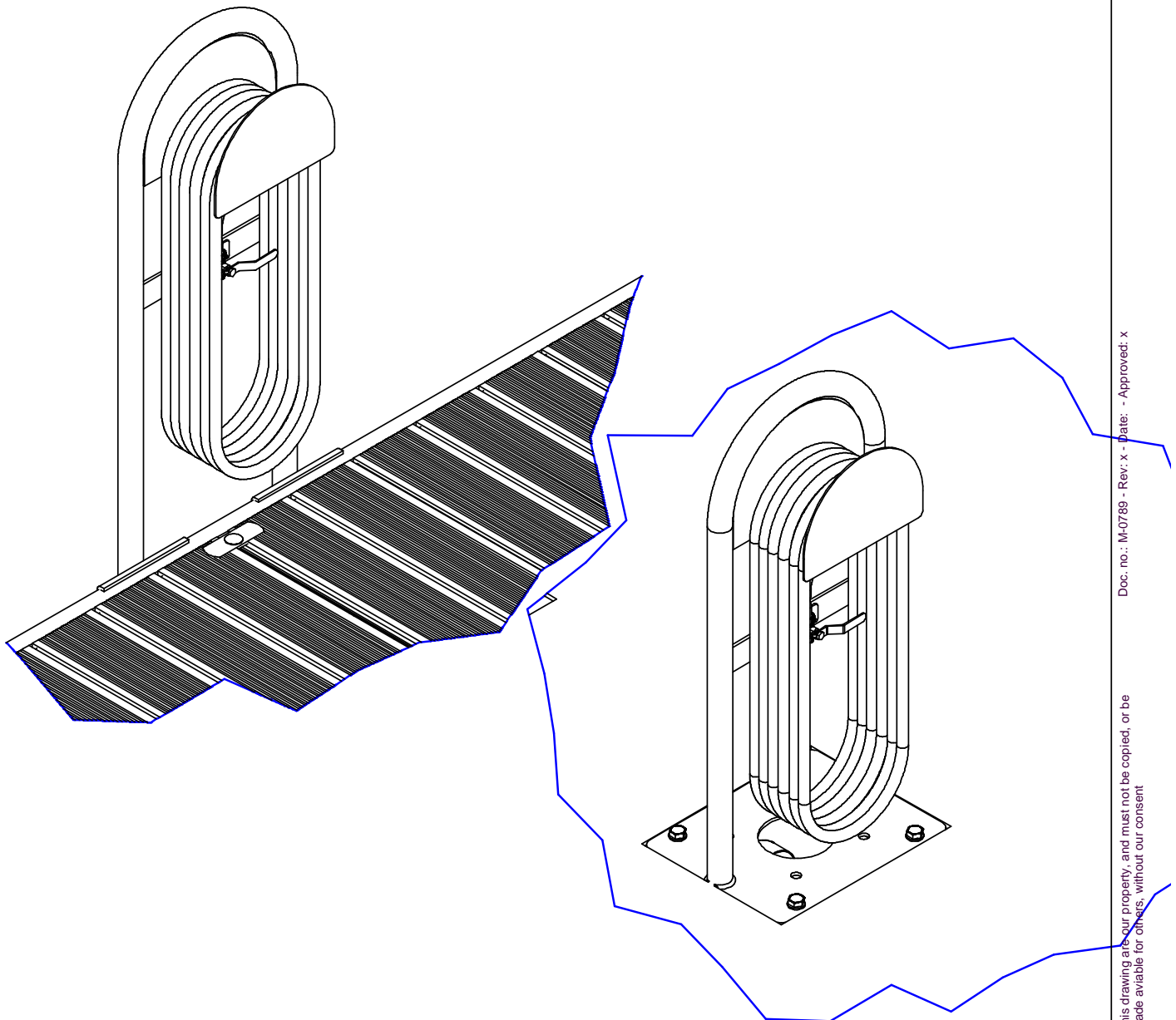
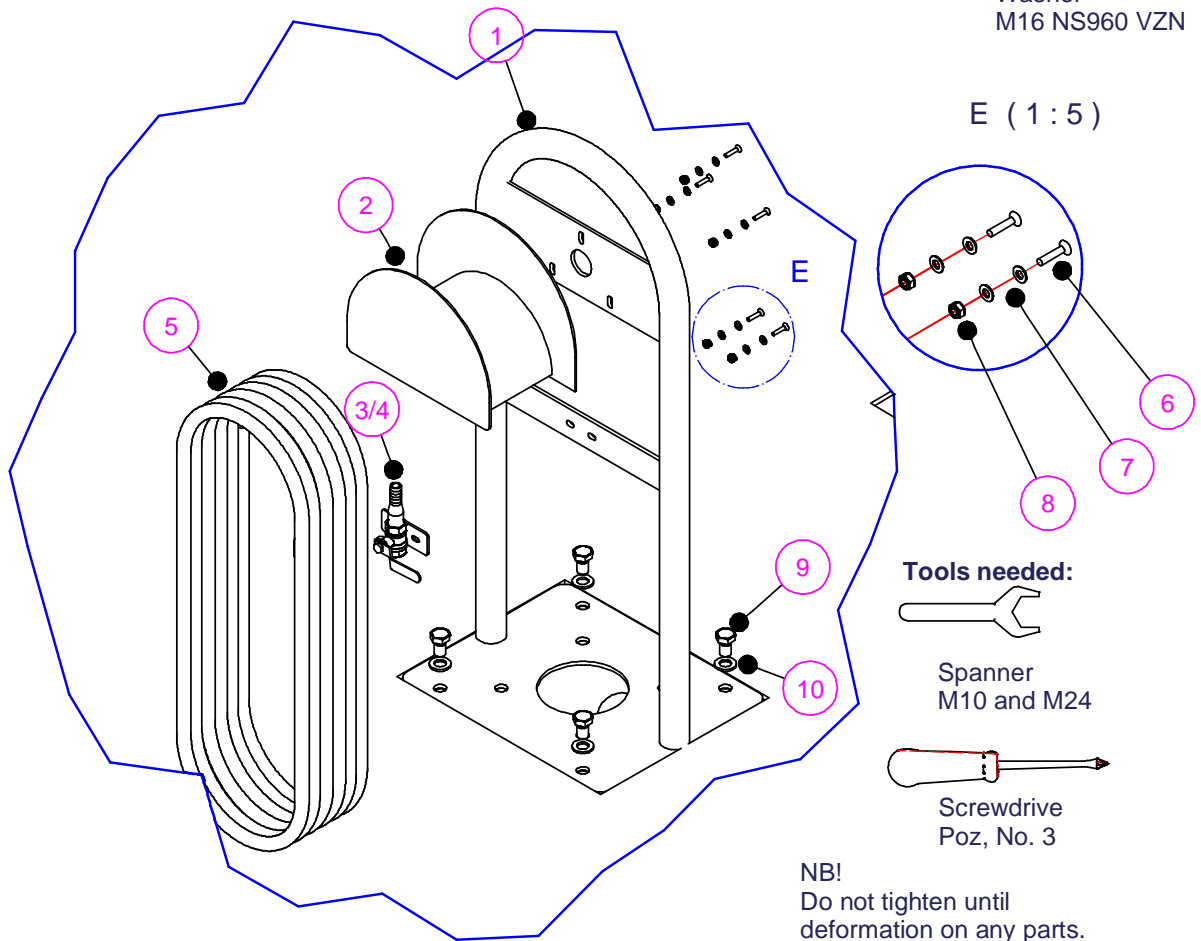
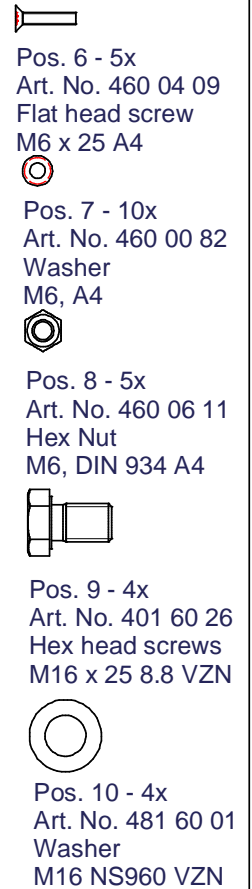
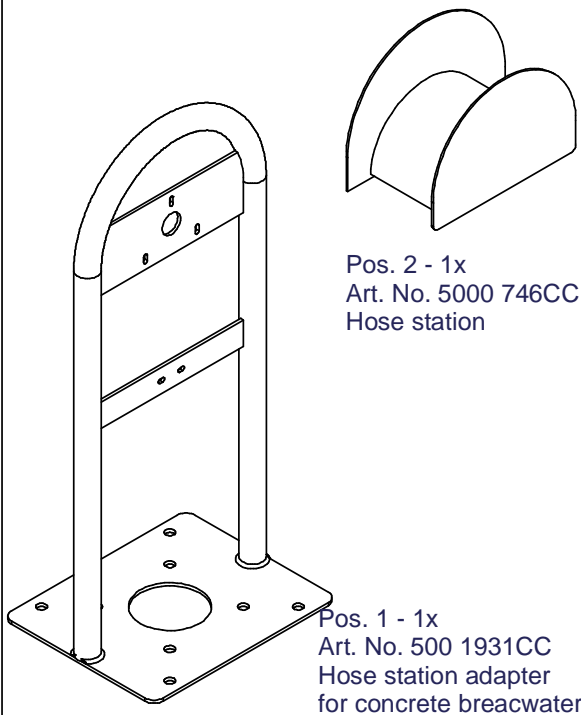


# Hose station for Steel pontoons and Concrete breakwaters

Installation of hosestation on steel  
pontoon and concrete breakwaters



**Concrete breakwaters**



## Steel pontoon



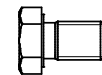
Pos. 6 - 5x  
Art. No. 460 04 09  
Flat head screw  
M6 x 25 A4



Pos. 7 - 10x  
Art. No. 460 00 82  
Washer  
M6, A4



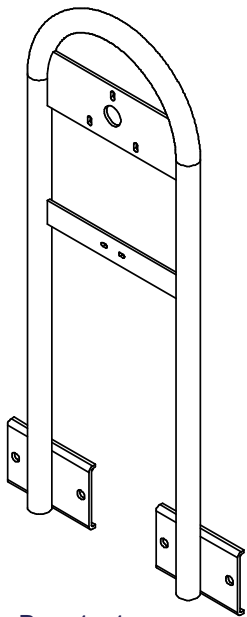
Pos. 8 - 5x  
Art. No. 460 06 11  
Hex Nut  
M6, DIN 934 A4



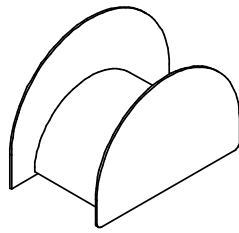
Pos. 9 - 4x  
Art. No. 401 60 36  
Hex head screws  
M16 x 35 8.8 VZN



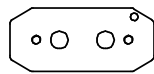
Pos. 10 - 4x  
Art. No. 481 60 01  
Washer  
M16 NS960 VZN



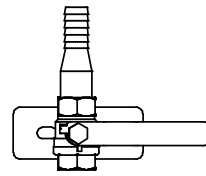
Pos. 1 - 1x  
Art. No. 500 1928CC  
Hose station adapter  
for steel pontoon.



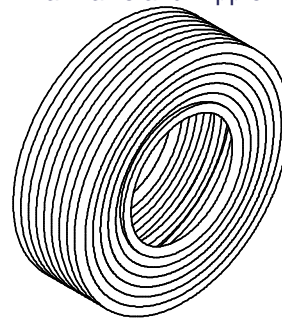
Pos. 2 - 1x  
Art. No. 5000 746CC  
Hose station



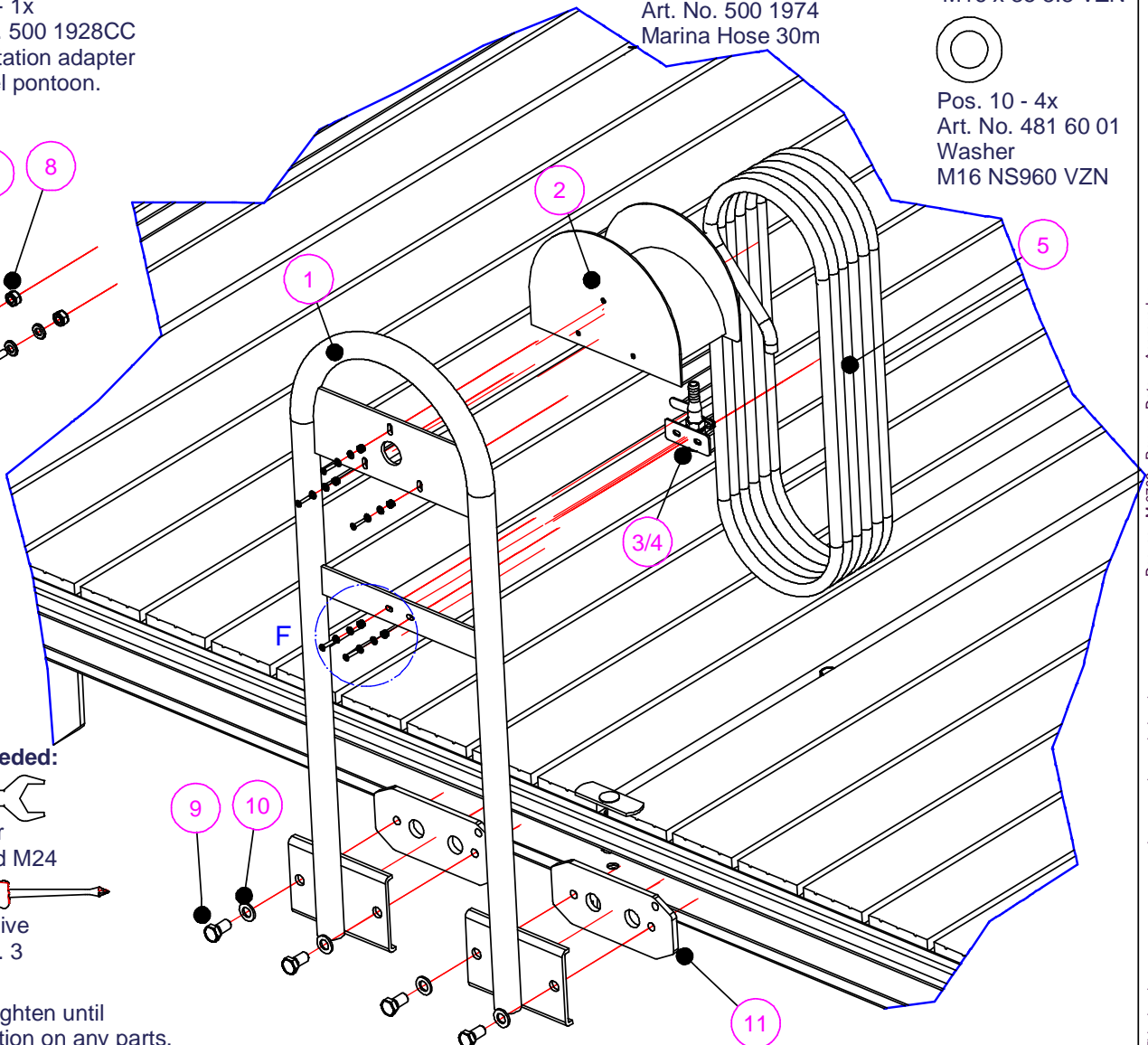
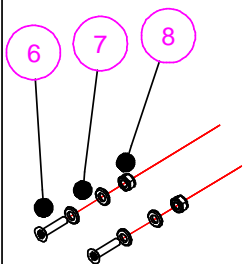
Pos. 11 - 2x  
Art. No. 500 1271CC  
Bracket, hose station adapter



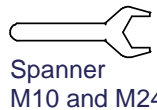
Pos. 3/4 - 1x  
Art. No. 500 1891 / 500 1892  
Ball valve and Nipple



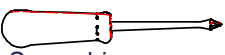
Pos. 5 - 1x  
Art. No. 500 1974  
Marina Hose 30m



### Tools needed:



Spanner  
M10 and M24



Screwdriver  
Poz, No. 3

NB!

Do not tighten until  
deformation on any parts.