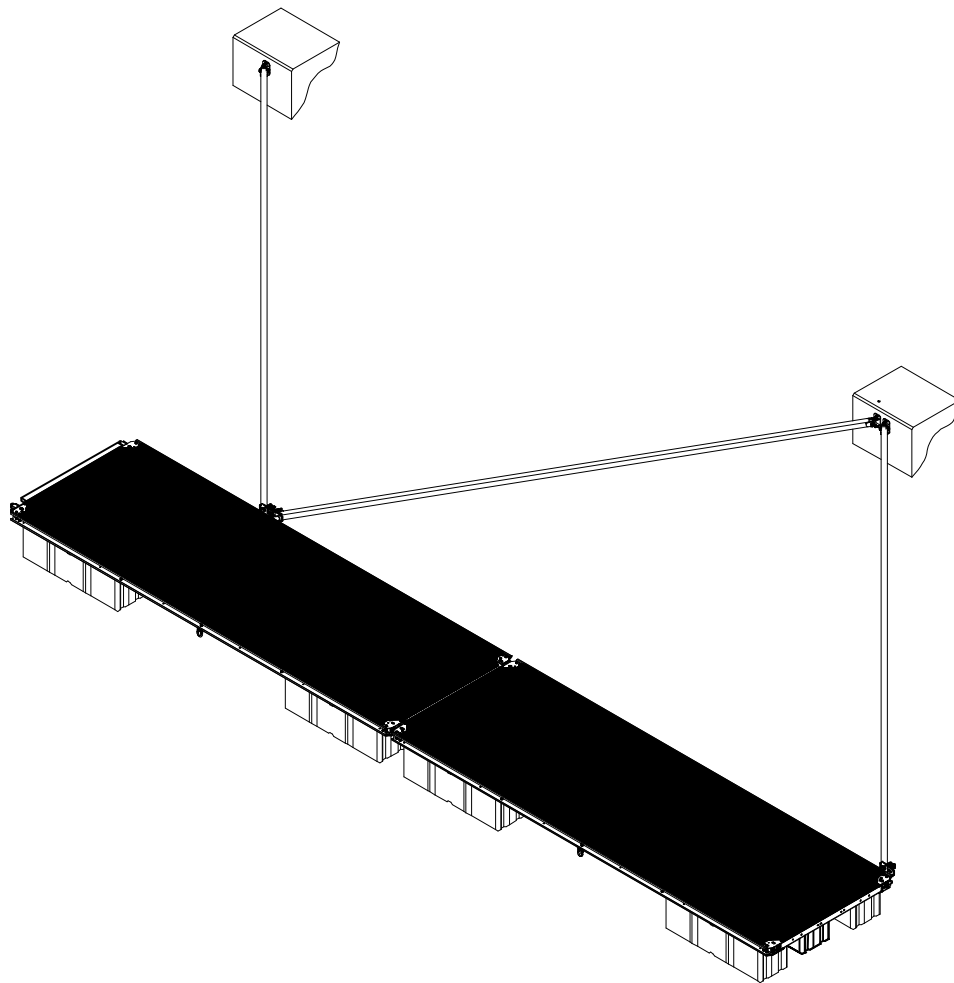
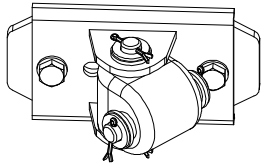
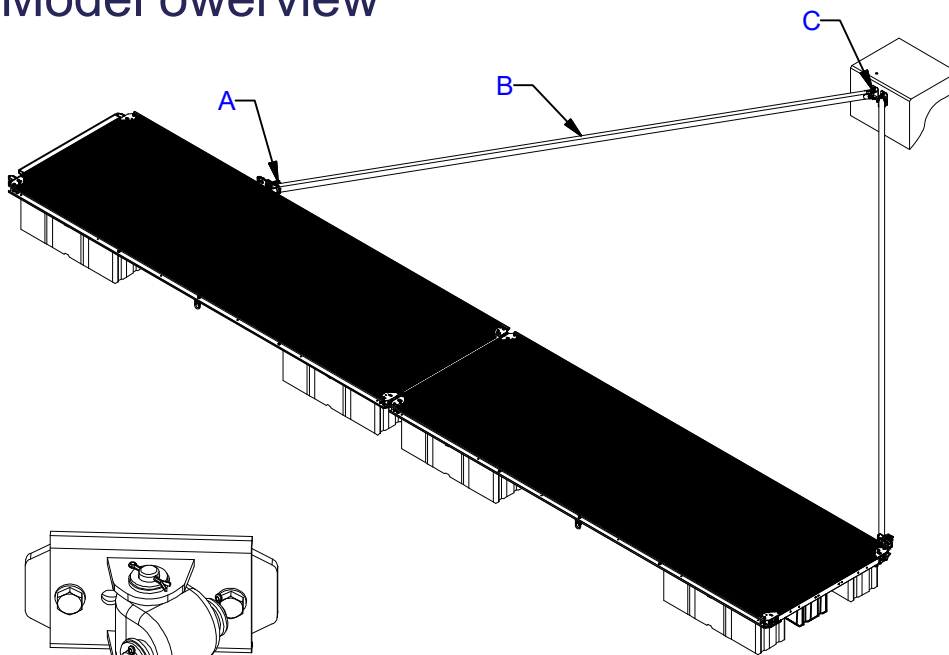


# STAYS

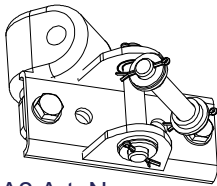
Installation of stay with soundless hinges.



## Model overview



A1 Art. No. 5001083CC  
For steel pontoons



A2 Art. No. 5001084CC  
For C-Profile

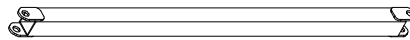
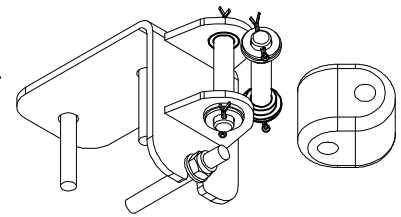
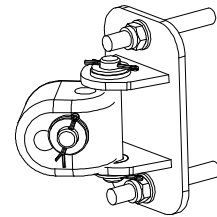


Table for B

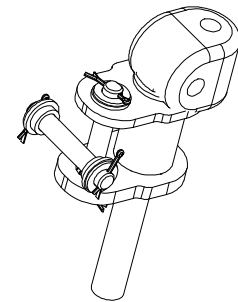
Art. No.	Length
5001065CC	5 m
5001066CC	6 m
5001067CC	7 m
5001068CC	8 m



C1 Art. No. 5001081CC

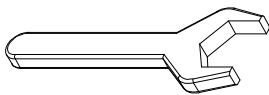


C2 Art. No. 5001082CC



C3 Art. No. 5001080CC

## Necessary equipment:



Spannerwidth 24 and 50

Prestressing factor:

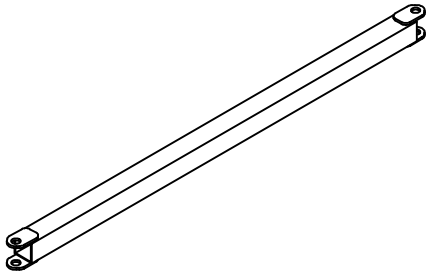
M16 =  $210 \pm 5\%$  Nm

M33 =  $1890 \pm 5\%$  Nm

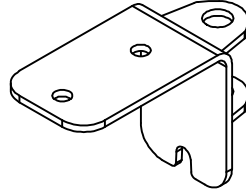
NB!

- Do not tighten until deformation of any steel parts.
- Do not put the steel construction directly at the ground to prevent damage at the surface.

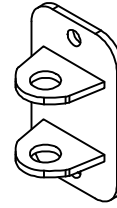
PARTS



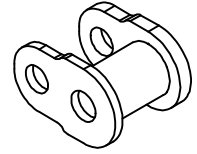
Item 1  
Art. (Ref. tabel for B)



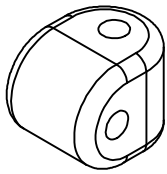
Item 2  
Art. No.5000927CC



Item 3  
Art. No 5000928CC



Item 4  
Art. No.5000920CC



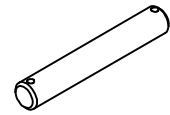
Item 5  
Art. No.5000923  
PUR



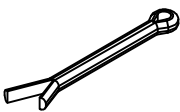
Item 6  
Art. No.5000925  
Nylon



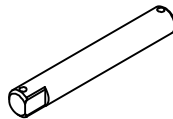
Item 7  
Art. No.4820001  
M20 - DIN125 -VZN



Item 8  
Art. No.5000924  
A4



Item 9  
Art. No.4604045  
4x45 - DIN94 - A4



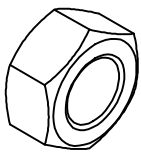
Item 10  
Art. No.5001507  
A4



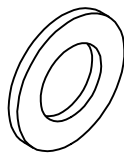
Item 11  
Art. No.4600605  
M16 - DIN985 - A4



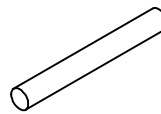
Item 12  
Art. No.4816001  
M16 - DIN125 - A4



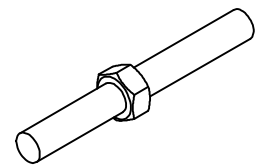
Item 13  
Art. No.4933008  
M33 - DIN 934 - VZN



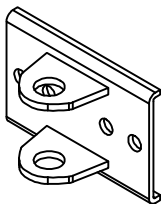
Item 14  
Art. No.4833001  
M33 - DIN125 - VZN



Item 15  
Art. No.5000926CC

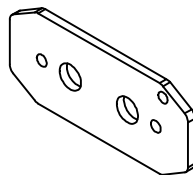


Item 16  
Art. No.5000921CC



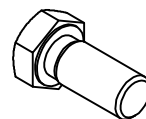
Item 17  
Art. No.5000929CC  
(Steel pontoones)

Art. No. 5000930CC  
(For C-Profile)



Item 18  
Art. No.5001271CC  
(Steel pontoones)

Art. No. 5001274CC  
(For C-Profile)



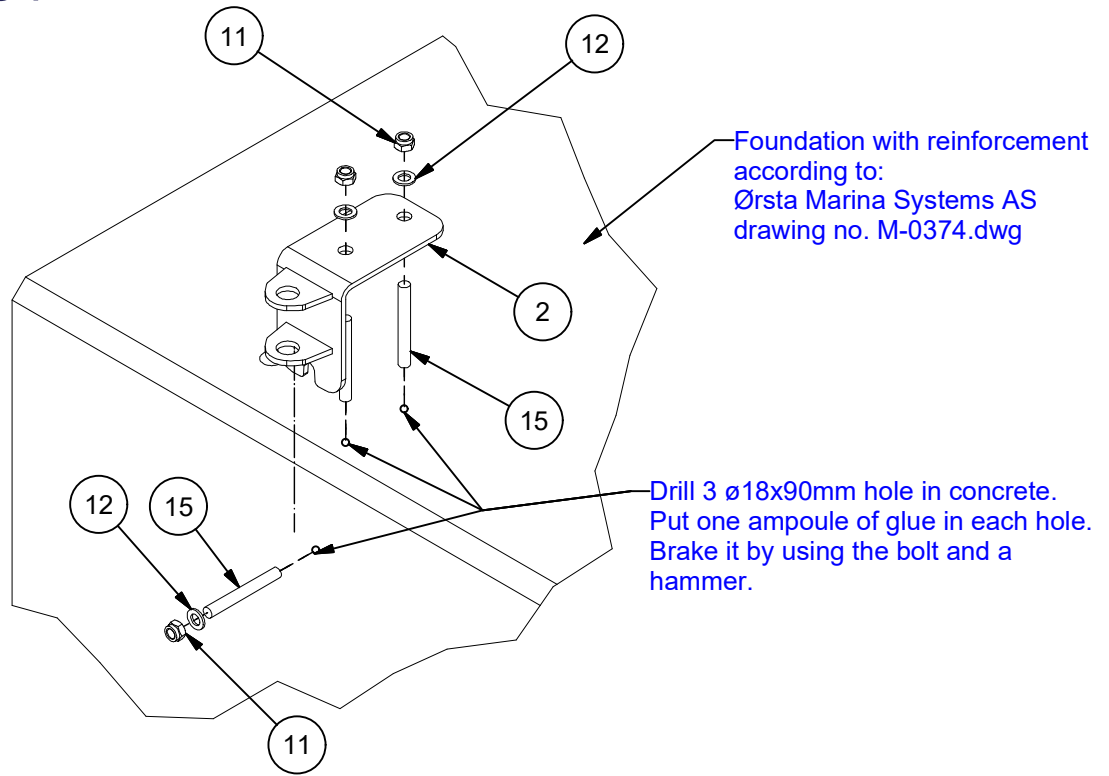
Item 19  
Art. No.4016036  
M16x35 - DIN933 - VZN



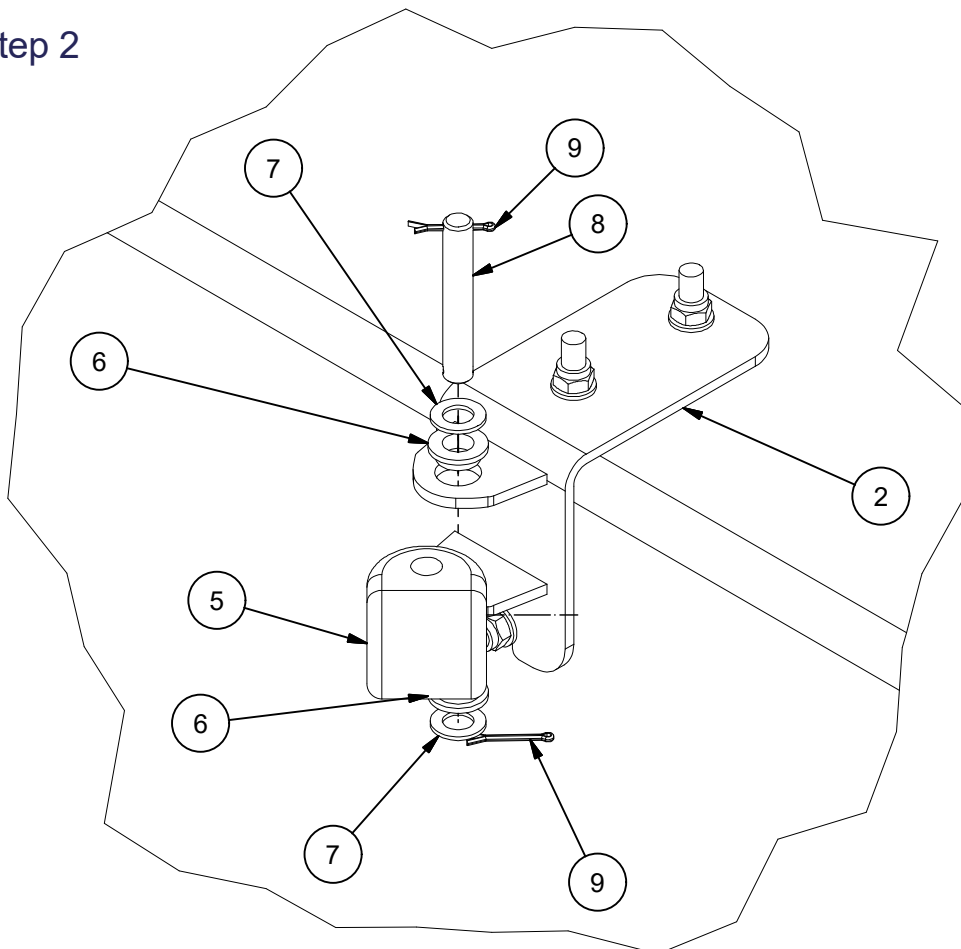
Item 20  
Art. No.5001800  
Glue

# Installation C1

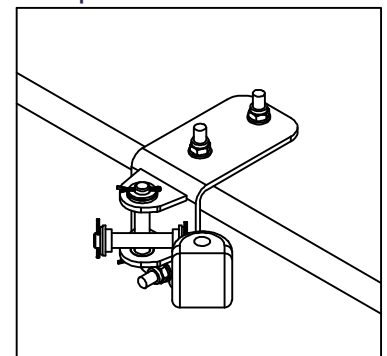
## Step 1



## Step 2

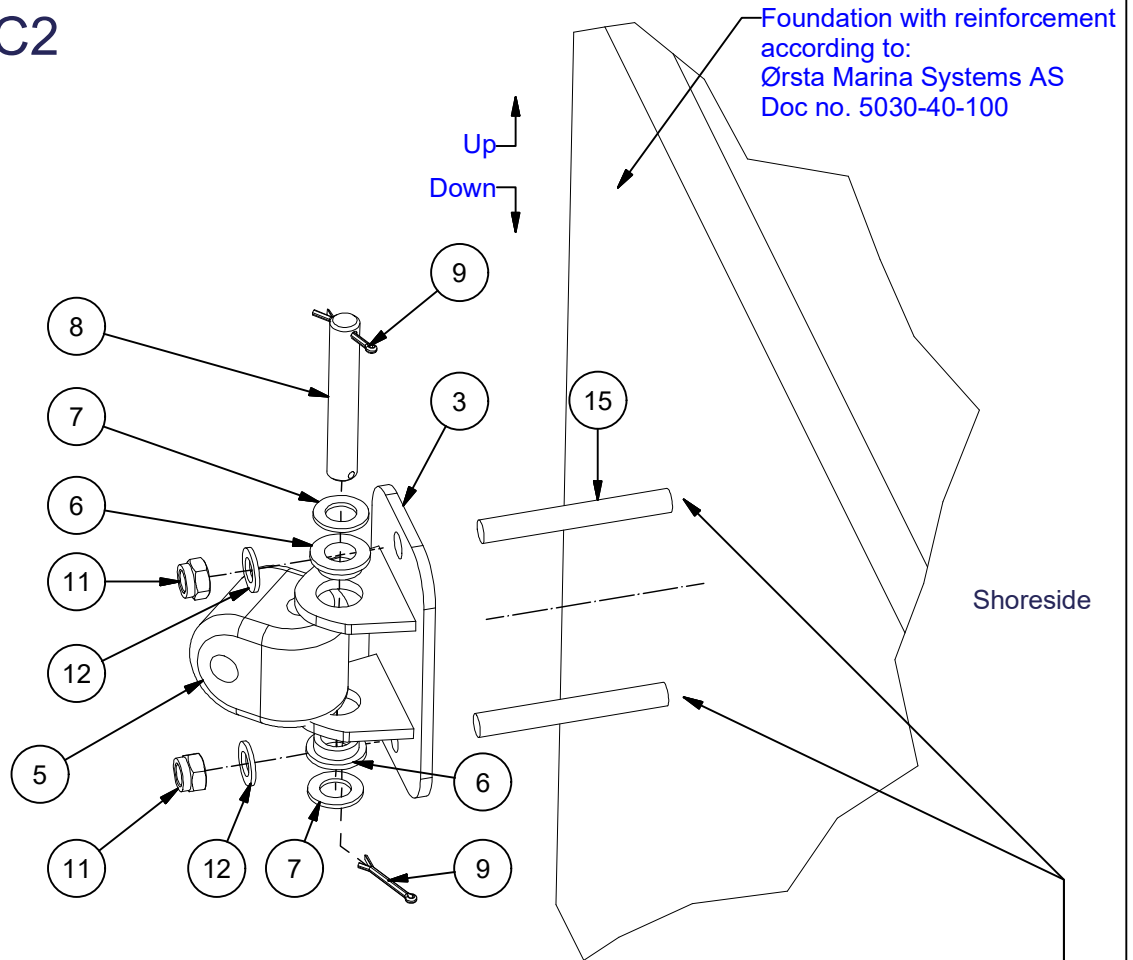


### Completed



# Installation C2

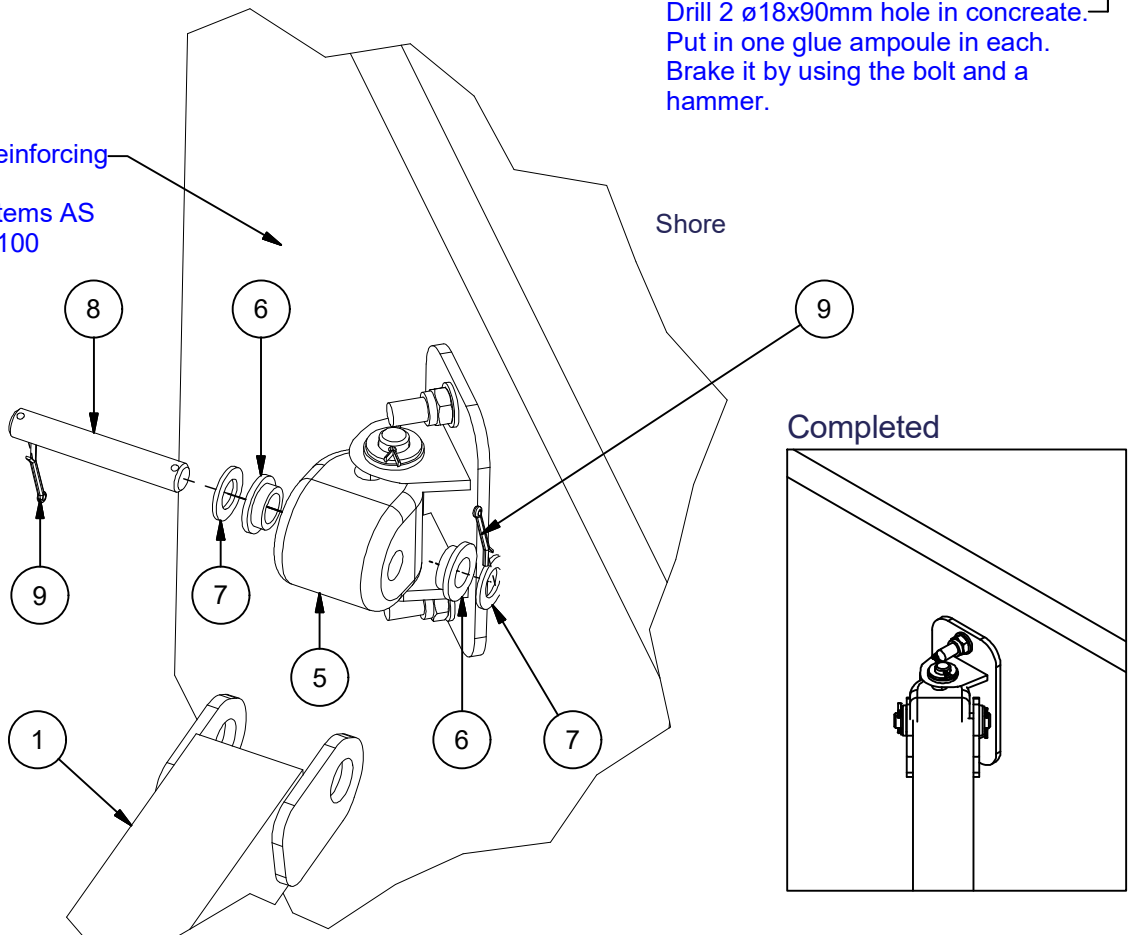
## Step 1



## Step 2

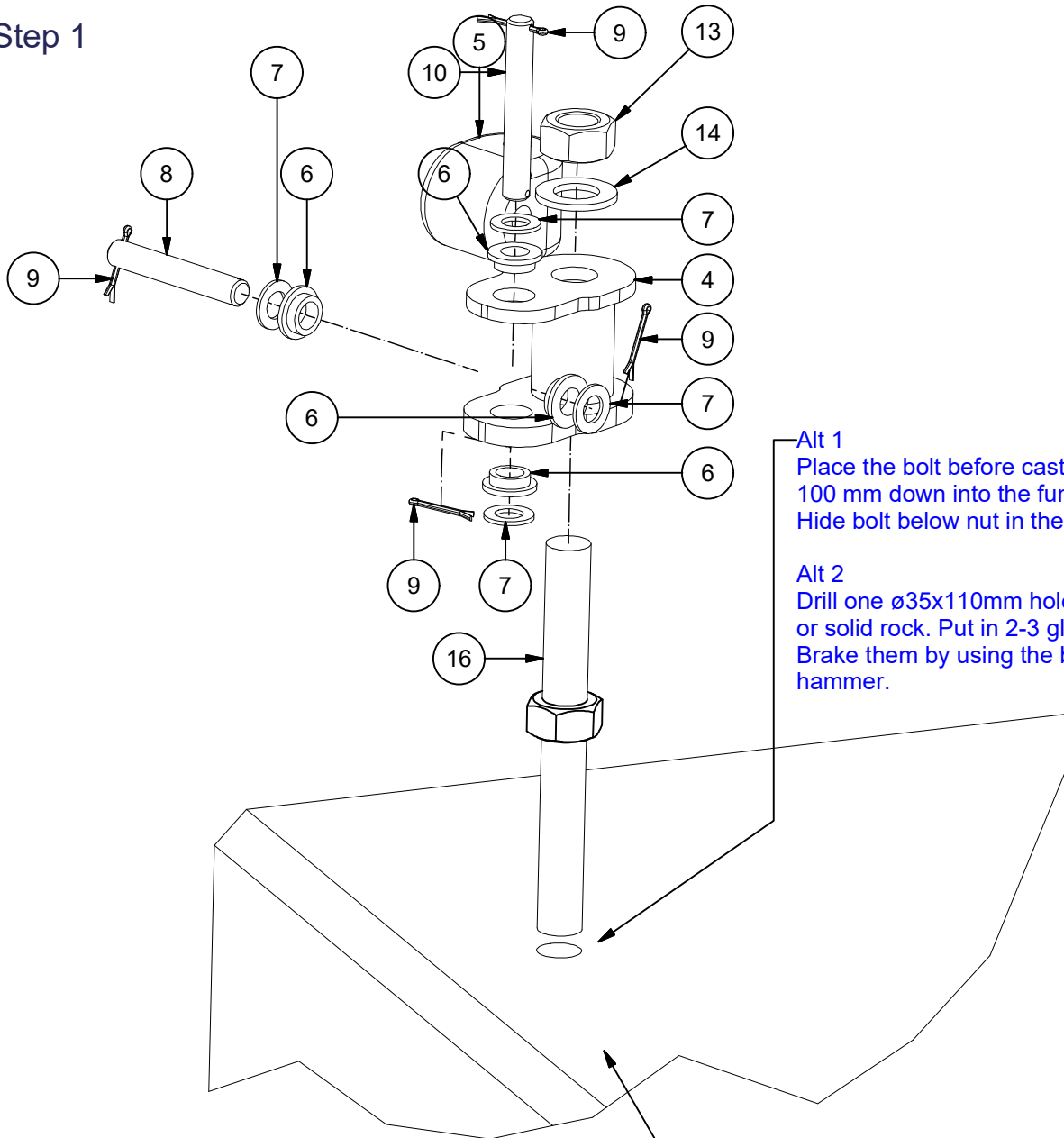
Foundation with reinforcing according to:  
Ørsta Marina Systems AS  
Doc no. 5030-40-100

Drill 2  $\varnothing 18 \times 90$ mm hole in concrete.  
Put in one glue ampoule in each.  
Brake it by using the bolt and a hammer.



# Installation C3

## Step 1

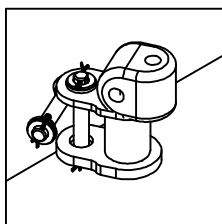


**Alt 1**  
Place the bolt before casting  
100 mm down into the fundament.  
Hide bolt below nut in the concrete.

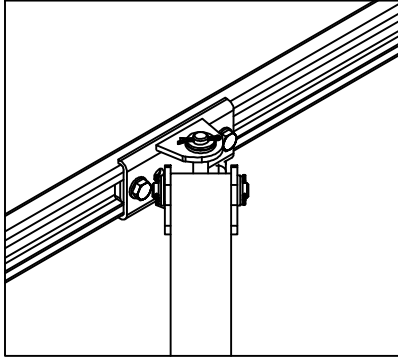
**Alt 2**  
Drill one  $\varnothing 35 \times 110$  mm hole in concrete  
or solid rock. Put in 2-3 glue ampoule.  
Brake them by using the bolt and a  
hammer.

Fundation with reinforcing  
according to:  
Ørsta Marina Systems AS  
Doc. no.:5030-40-100

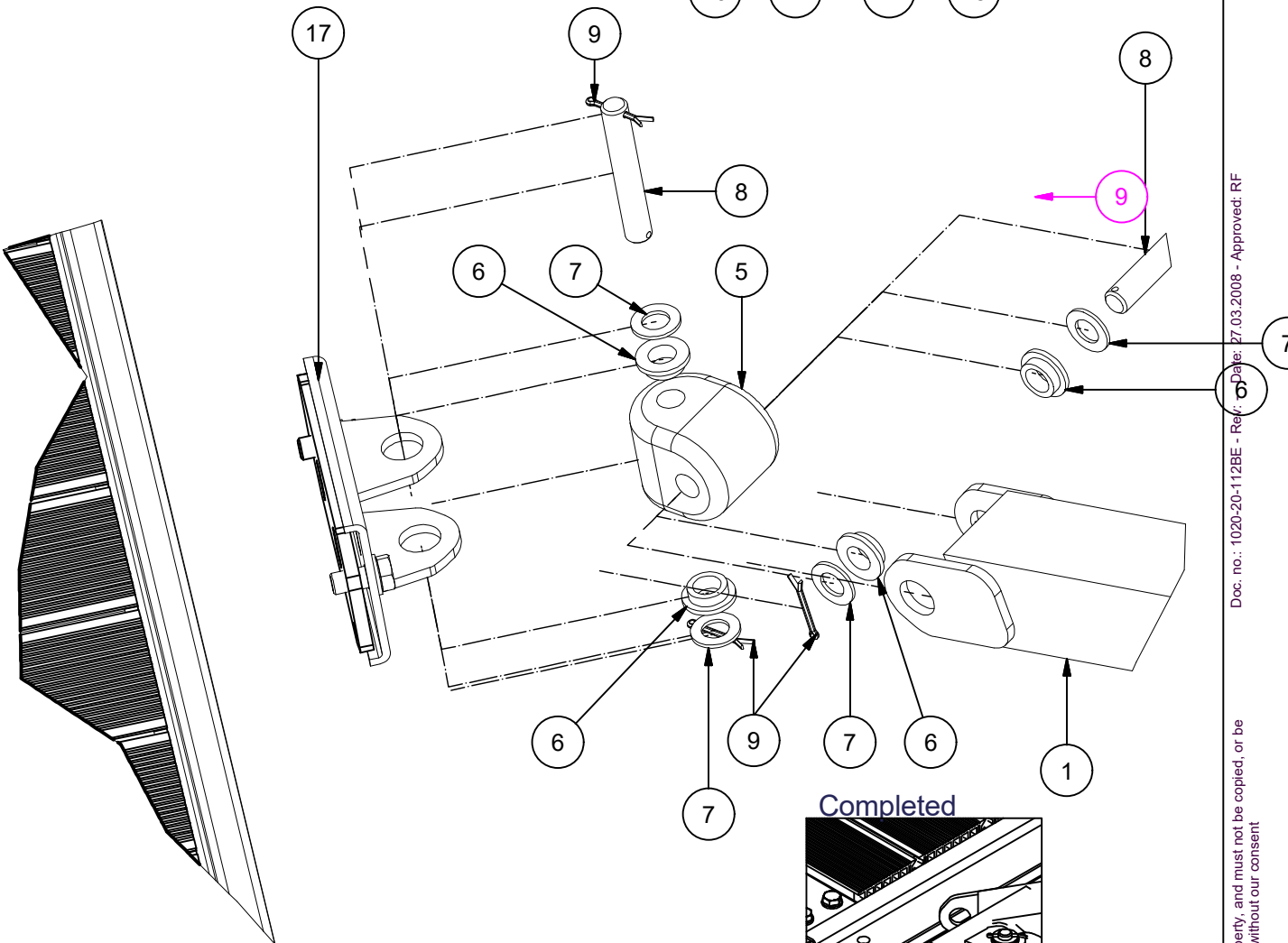
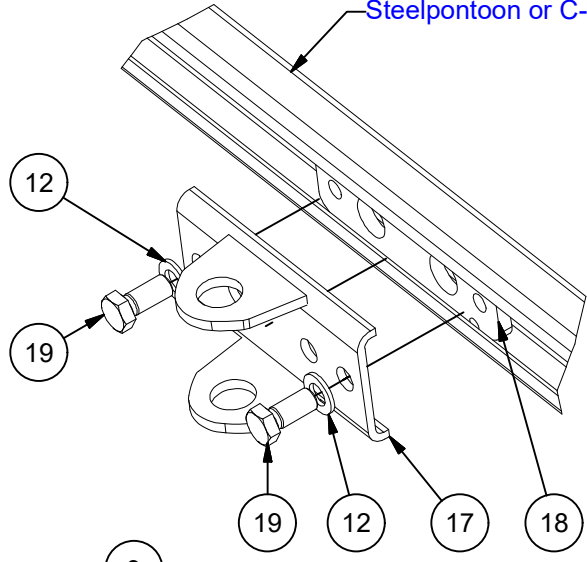
### Completed



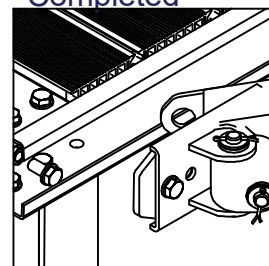
Complete



Steelpontoon or C-Profile

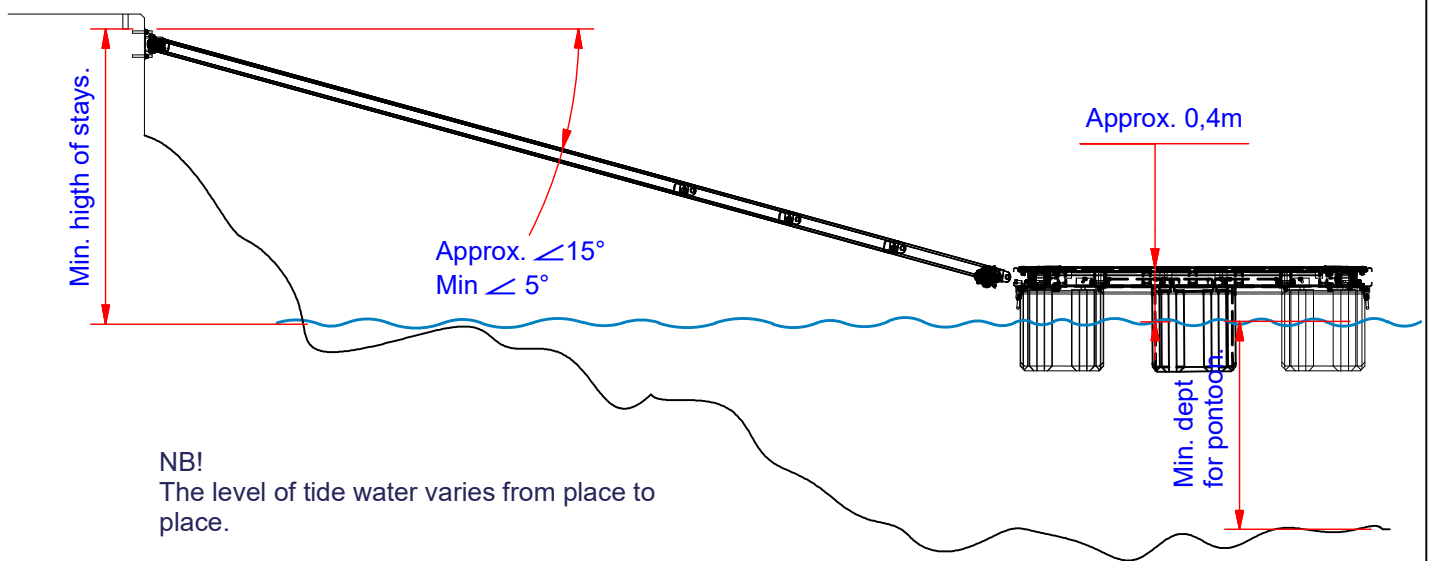
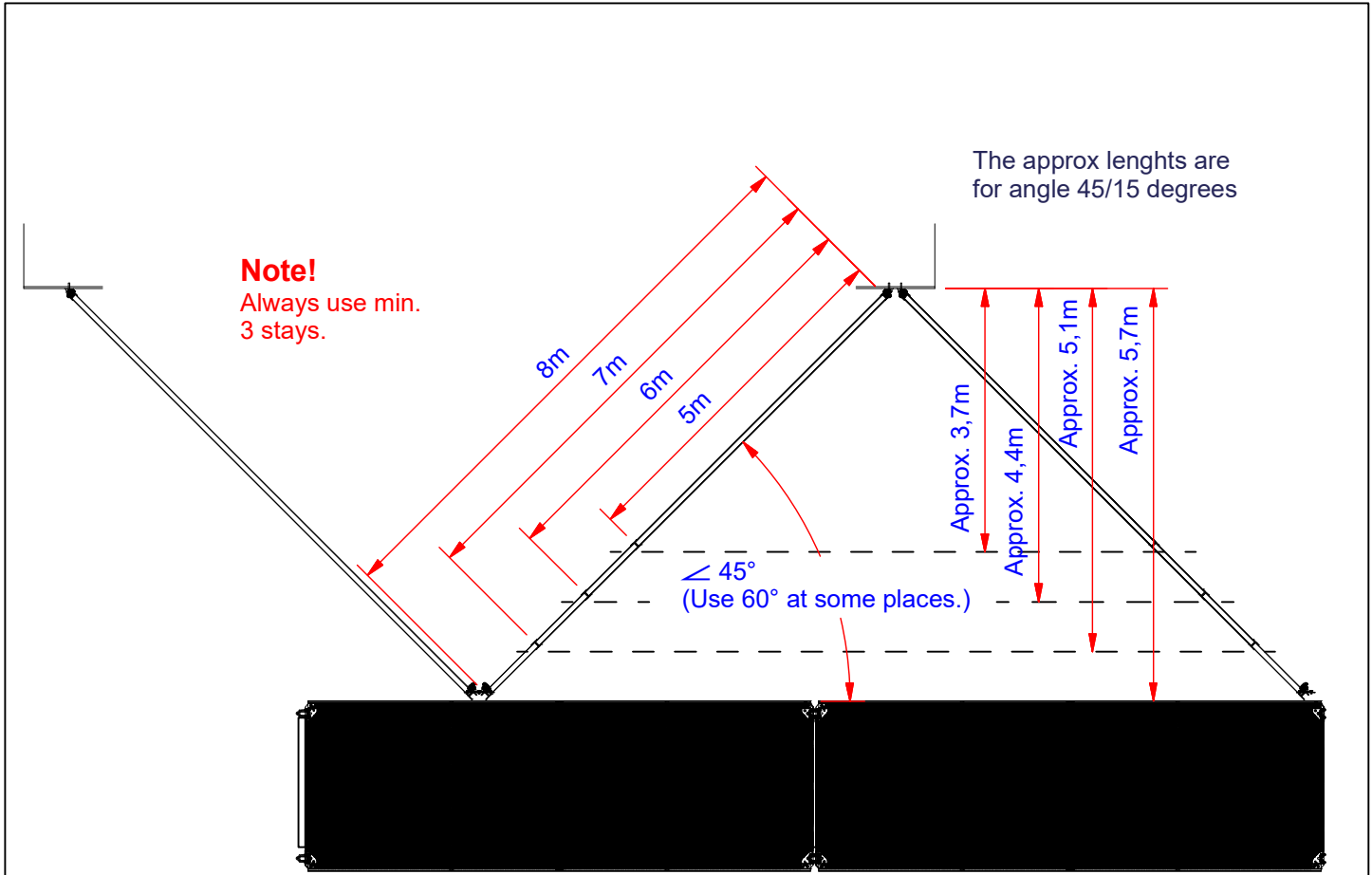


Completed



Doc. no.: 1020-20-112BE - Rev. 03 - Date: 27.03.2008 - Approved: RF

This drawing is our property, and must not be copied, or be made available for others, without our consent



**NB!**  
The level of tide water varies from place to place.

To find the length of stays, min height of foundations or min depth for pontoons and similar, contact Ørsta Marina Systems AS